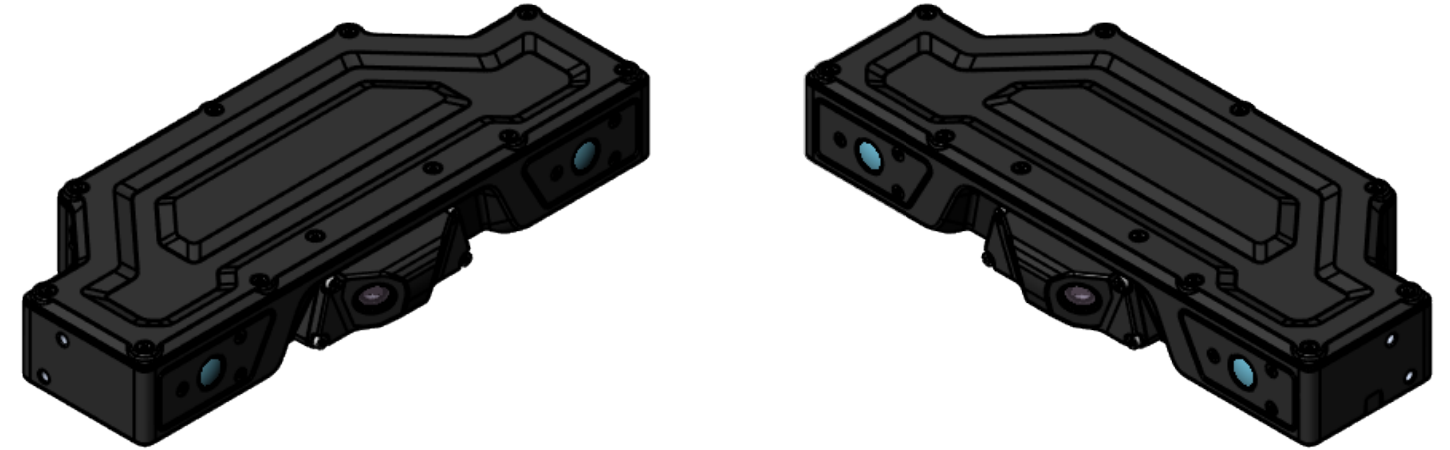
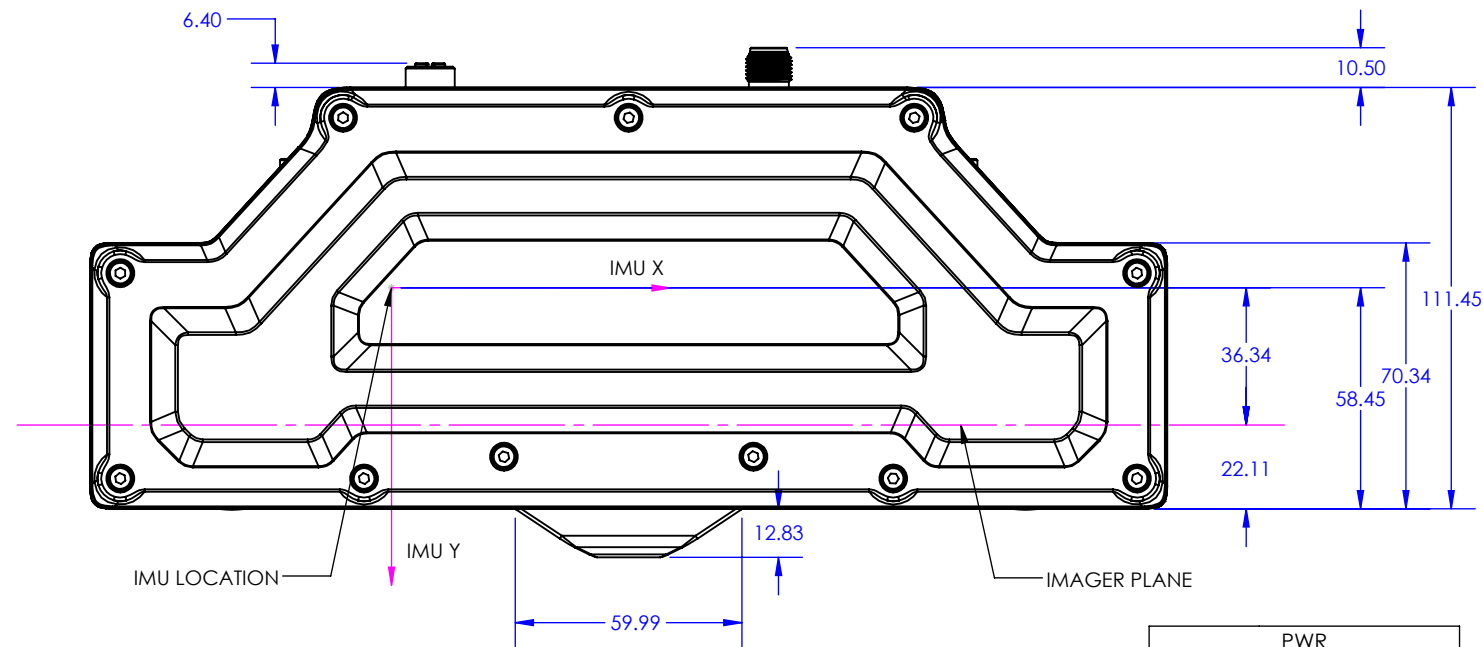
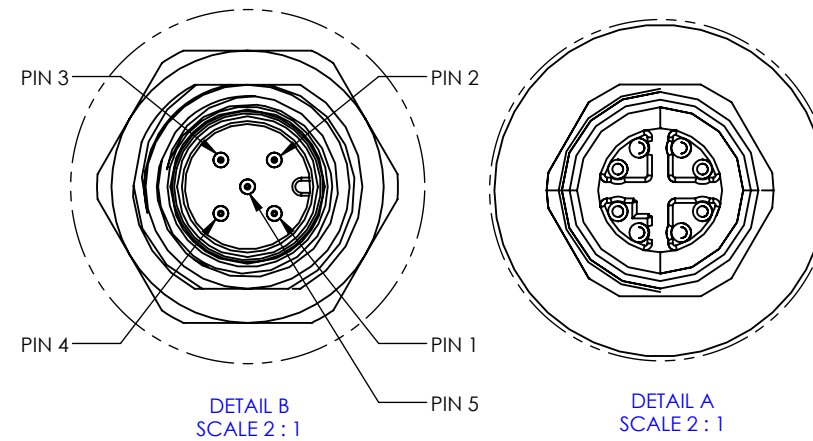


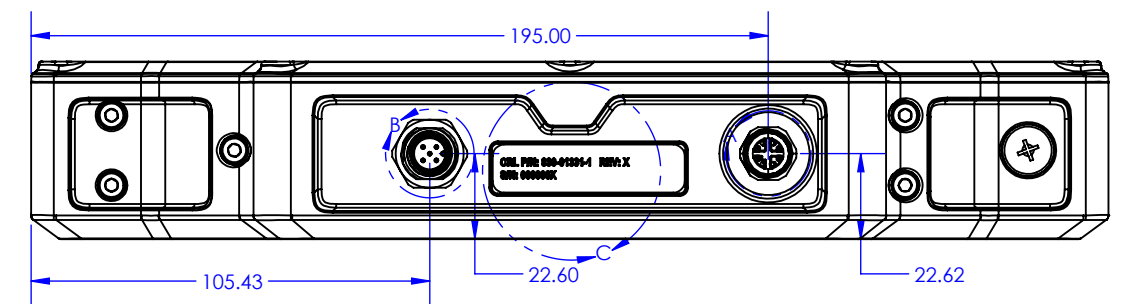
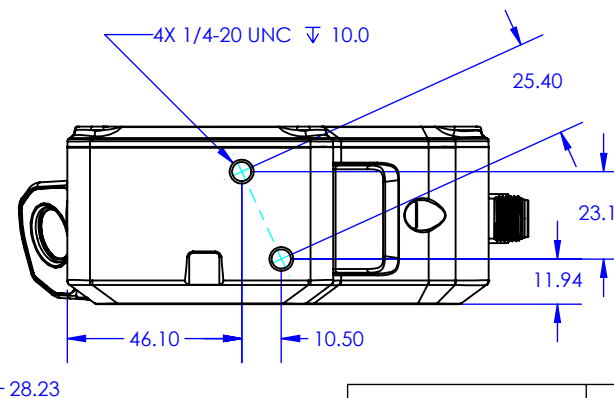
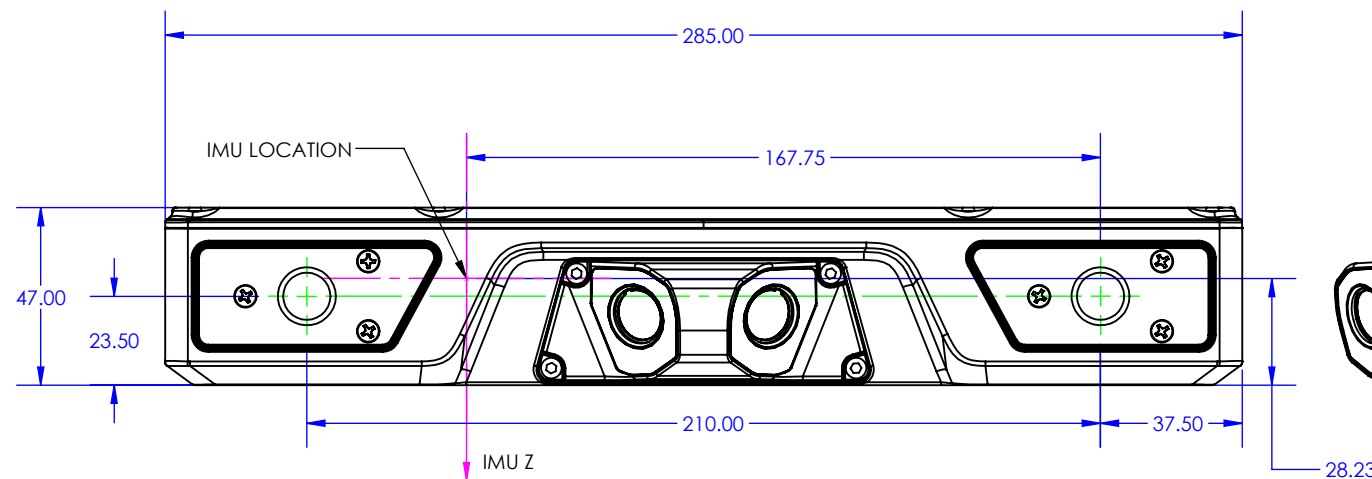
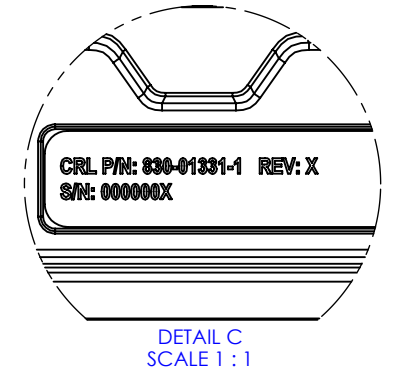
REVISION HISTORY			
REV	DESCRIPTION	DATE	APPROVED
A	INITIAL RELEASE	2022-12-16	JDM



PWR	
M12-A/M	
1	24VDC
2	TRIGGER
3	PWR GND
4	PPS
5	I/O GND



ENET	
M12-X/F	
1	A+
2	A-
3	B+
4	B-
5	D+
6	D-
7	C-
8	C+



NOTES (UNLESS OTHERWISE SPECIFIED):

- WEIGHT: 1.46 KG
- COLOR: -0 ALUMINUM CHROMATE COVERSION, -1 BLACK POWDER COAT
- STEREO MONOCHROME LENS FOV: 135° HFOV, 84° VFOV
- INPUT VOLTAGE: 9-36 VDC
- OPERATING TEMP: -30 TO +65 °C
- ILLUMINATION: IR PATTERN PROJECTOR
- ENVIRONMENTAL SEALING: IP67 WITH CONNECTOR MATED
- USE TORQUE WRENCH TO TIGHTEN MATING M12 CABLES NUT TO 0.4 Nm MIN

ICD PART NUMBER	CAMERA PART NUMBER	DESCRIPTION
960-00246-0	830-01131-0	STEREO CAMERA, 21CM BASELINE, CAST KS21, CHROMATE CONVERSION
960-00246-1	830-01131-1	STEREO CAMERA, 21CM BASELINE, CAST KS21, BLACK POWDERCOAT

**Carnegie Robotics**  
 4501 HATFIELD STREET  
 PITTSBURGH, PA 15201  
 CARNEGIEROBOTICS.COM  
 CAGE CODE: 4QND3

THE INFORMATION CONTAINED IN THIS DRAWING IS THE SOLE PROPERTY OF CARNEGIE ROBOTICS LLC. ANY REPRODUCTION IN PART OR AS A WHOLE WITHOUT THE WRITTEN PERMISSION OF CARNEGIE ROBOTICS LLC IS PROHIBITED.

	ENGR	DATE
DRAWN	DR	2022-01-13
CHECKED	JDM	2022-12-16
ENGR	NTM	2022-12-08
APPROVED	JDM	2022-12-16

UNLESS OTHERWISE SPECIFIED DIMENSIONS ARE IN MILLIMETERS  
 TOLERANCES: ANGULAR ± 0.5° SURFACE FINISH: 1.6  
 X ± 1.3  
 X.X ± 0.5  
 X.XX ± 0.13

NEXT GEN S21, CAST, ICD

SIZE B	PART NUMBER 960-00246	REV A
MATERIAL N/A	FINISH SEE NOTE	DO NOT SCALE
		SHEET 1 OF 1