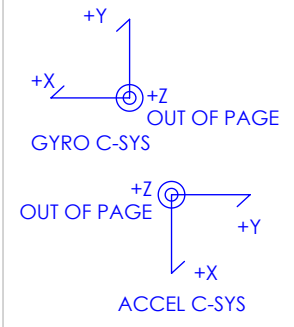
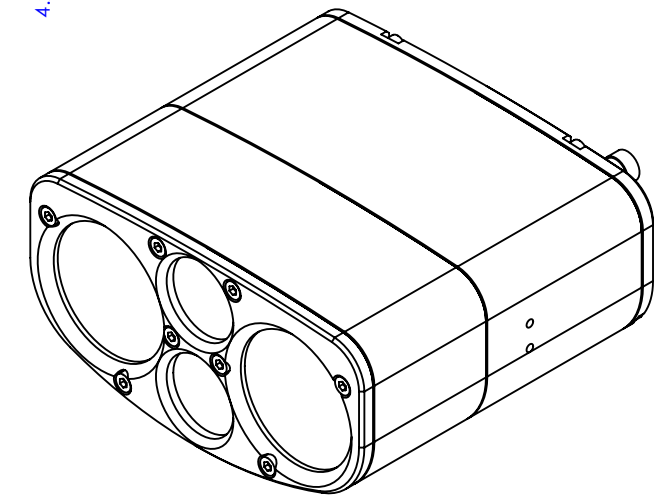
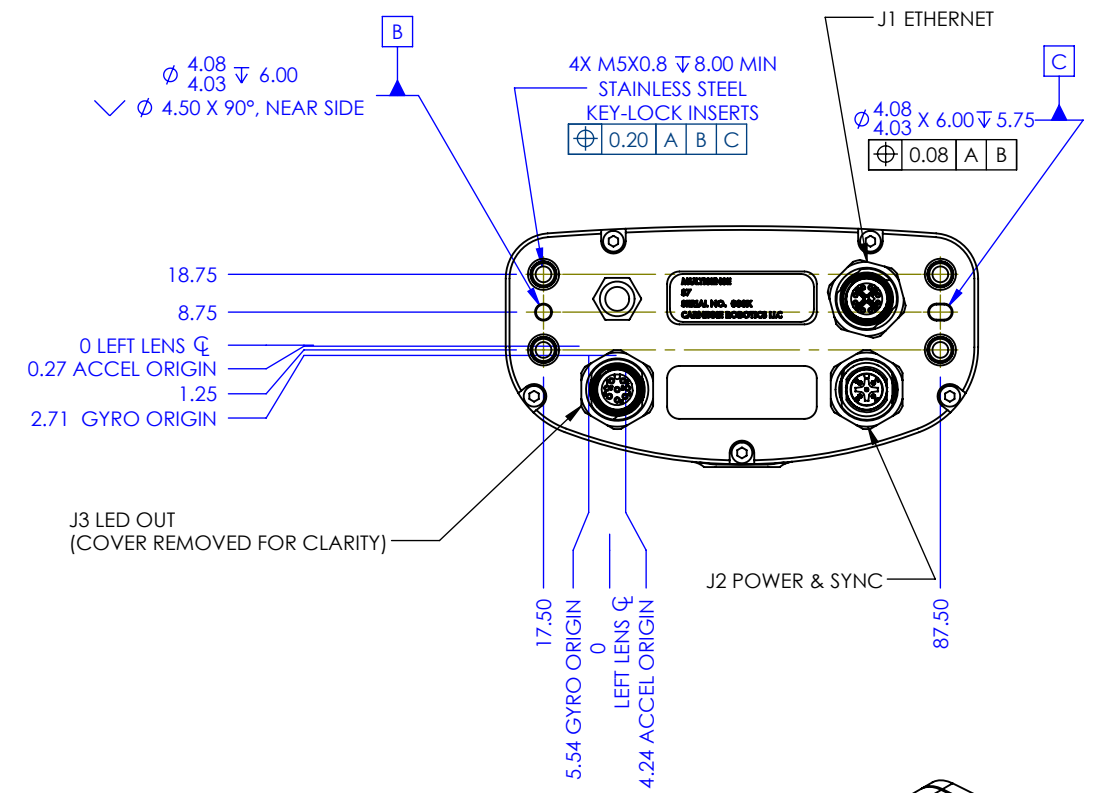
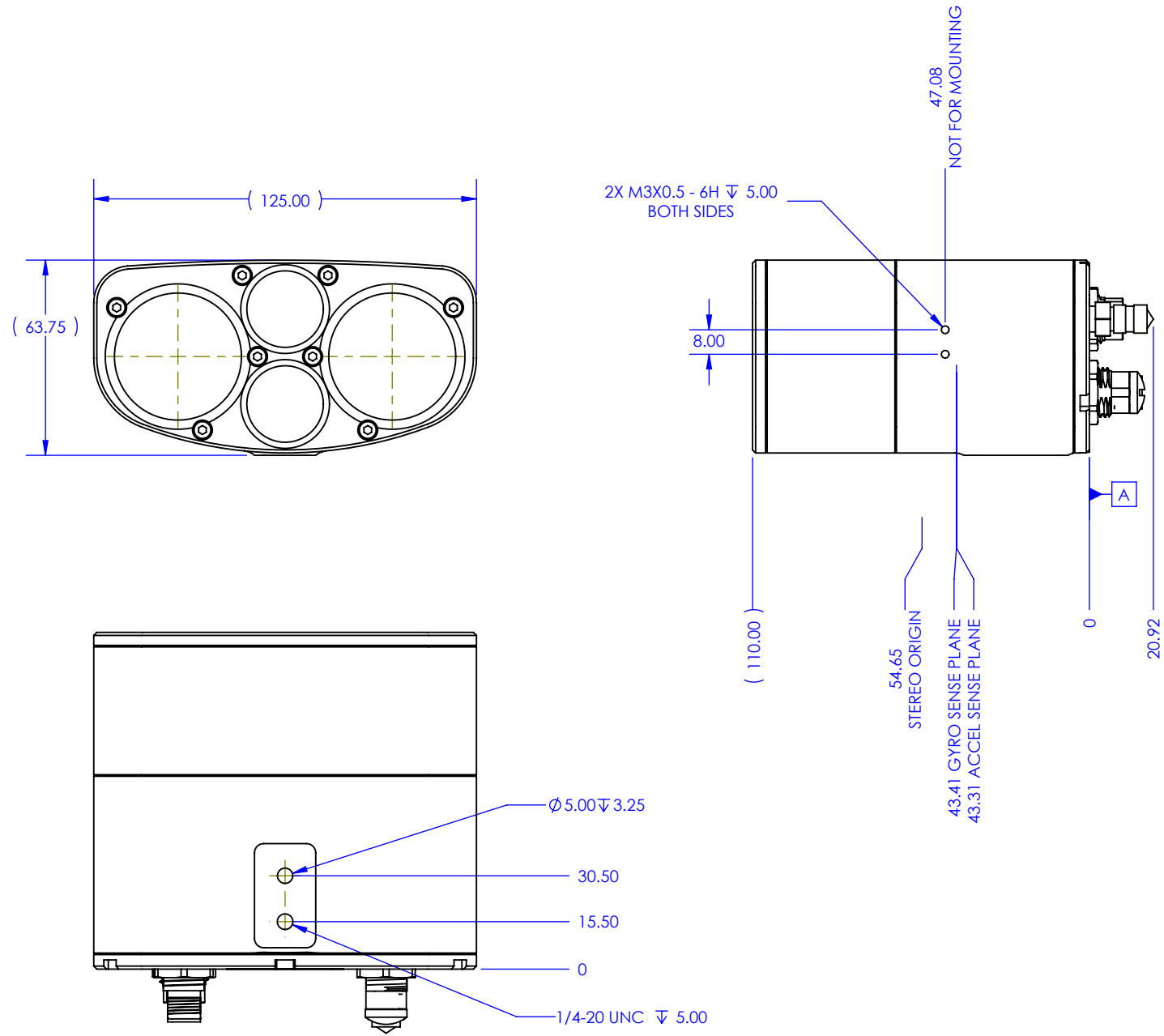


J1	
1000 BASE T	
M12-X8/F	
1	A+
2	A-
3	B+
4	B-
5	D+
6	D-
7	C-
8	C+
J2	
POWER & SYNC	
M12-A5/M	
1	24 VDC
2	CAM TRIG
3	PWR GND
4	PPS
5	I/O GND
J3	
LED OUT	
M12-A8/F	
1	LED 1 +
2	LED 1 -
3	LED 2 +
4	LED 2 -
5	N/C
6	N/C
7	N/C
8	N/C

REVISION HISTORY			
REV	DESCRIPTION	DATE	APPROVED
A	INITIAL RELEASE	2013-01-07	CO
B	UPDATE FOR M12 CONNECTORS	2017-12-19	REM



- 4. APPROXIMATE MASS: 1150 GRAMS.
- 3. EXTERNAL SURFACES COATED WITH BLACK POWDERCOAT, MIL-STD-595, BLACK.
- 2. J3 LED POWER CONSTANT CURRENT 1 A MAXIMUM PER CHANNEL OUT.
- 1. 24 V INPUT POWER BUS ACCEPTS 18 V TO 48 V NOMINAL, 3.0 A MAXIMUM DRAW.

NOTES (UNLESS OTHERWISE SPECIFIED)

<p>Carnegie Robotics 4501 HATFIELD STREET PITTSBURGH, PA 15201 412-251-0321 CARNEGIEROBOTICS.COM CAGE CODE: 4QND3</p>	ENGR	DATE	MULTISENSE-S7		
	DRAWN	2017-12-19			
	CHECKED				
	ENGR	2016-11-11			
APPROVED			SIZE	PART NUMBER	REV
			B	S7	B
<small>UNLESS OTHERWISE SPECIFIED DIMENSIONS ARE IN MILLIMETERS</small>			MATERIAL	FINISH	DO NOT SCALE
<small>TOLERANCES: ANGULAR ± 0.5° SURFACE 1.6</small> <small>X ± 1.3 FINISH: ✓</small> <small>X.X ± 0.5</small> <small>X.XX ± 0.13</small>			N/A	SEE NOTE	SHEET 1 OF 1